



**Electrolux**  
PROFESSIONAL

**Modular Cooking Range Line  
thermaline 90 - 600 mm Electric  
Warming Cabinet with 1 door, GN  
conform, 1 Side (H2) - H=450**

ITEM # \_\_\_\_\_

MODEL # \_\_\_\_\_

NAME # \_\_\_\_\_

SIS # \_\_\_\_\_

AIA # \_\_\_\_\_



**589480 (MC4GCAFOAO)**

Electric Warming Cabinet,  
with 1 door, one-side  
operated, GN - H2

### Short Form Specification

**Item No.** \_\_\_\_\_

600 mm wide warming cabinet with 1 door. Internal frame for heavy duty sturdiness in stainless steel. Flat surface construction, easily cleanable. Temperature in the cabinet can be set through thermostat, up to a maximum of 110 °C. Cabinet storage space accepts GN 1/1 containers.

IPX5 water resistant certification.

Configuration: One-side operated freestanding base, hygienic class H2.

### Main Features

- All major components may be easily accessed from the front.
- THERMODUL connection system creates a seamless work top when units are connected to each other thus avoiding soil penetrating vital components and facilitating the removal of units in case of replacement or service.
- Unit constructed according to DIN 18860\_2 with 70 mm recessed plinth.
- Temperature in the cupboard can be set through a thermostat to suit different requirements. The maximum temperature is 110°C.
- Unit can be installed below modular top appliances, designed to keep plates warm.

### Construction

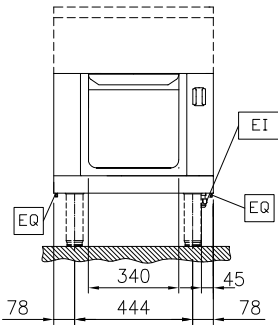
- IPX5 water resistance certification.
- 2 mm top in 1.4301 (AISI 304).
- Flat surface construction with minimal hidden areas to easily clean all surfaces
- Storage space in the base of the appliance accepts GN1/1 containers.
- Internal frame for heavy duty sturdiness in stainless steel.

**APPROVAL:** \_\_\_\_\_

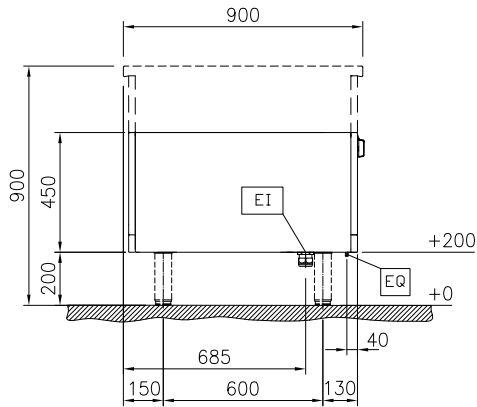


Experience the Excellence  
[www.electroluxprofessional.com](http://www.electroluxprofessional.com)

Front

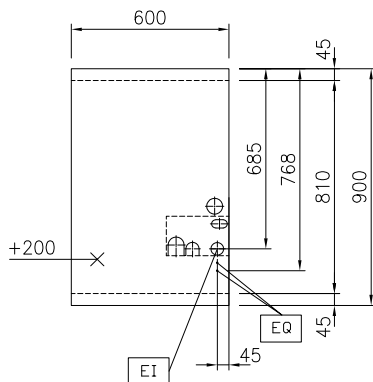


Side



EI = Electrical inlet (power)

Top


**Key Information:**

External dimensions, Width:	
589480 (MC4GCAFOAO)	600 mm
External dimensions, Depth:	900 mm
External dimensions, Height:	450 mm
Cupboard Cavity Dimensions (width):	340 mm
Cupboard Cavity Dimensions (height):	330 mm
Cupboard Cavity Dimensions (depth):	715 mm
Cabinet temperature range:	30-110 °C
Net weight:	24 kg

**Sustainability**

Current consumption:	2.5 Amps
----------------------	----------

### Optional Accessories

- Stainless steel side panel, 900x700mm, freestanding PNC 912512
  - Stainless steel front kicking strip, 600mm width PNC 912632
  - Stainless steel side kicking strip left and right, freestanding, 900mm width PNC 912657
  - Stainless steel side kicking strips left and right, against the wall, 900mm width PNC 912660
  - Stainless steel side kicking strip left and right, back-to-back, 1810mm width PNC 912663
  - Stainless steel plinth, against wall, 600mm width PNC 912937
  - Stainless steel plinth, freestanding, 600mm width PNC 912956
  - Stainless steel panel, 900x700mm, against wall, left side PNC 913101
  - Stainless steel panel, 900x700mm, against wall, right side PNC 913105
  - Back panel, 600x450mm, for bases one-side operated PNC 913165
  - Stainless steel side panel, left, H=700 PNC 913222
  - Stainless steel side panel, right, H=700 PNC 913223
  - Perforated shelf for warming cabinets and cupboard bases (one-side operated TL80-85-90 and two-side operated for TL80) PNC 913233
  - Energy optimizer kit 14A - factory fitted PNC 913244
  - Side reinforced panel only in combination with side shelf, for freestanding units PNC 913260
  - Side reinforced panel only in combination with side shelf, for against the wall installations, left PNC 913267
  - Side reinforced panel only in combination with side shelf, for against the wall installations, right PNC 913269
  - Side reinforced panel only in combination with side shelf, for back-to-back installations, left PNC 913275
  - Side reinforced panel only in combination with side shelf, for back-to-back installation, right PNC 913276
  - Shelf fixation for TL80-85-90 one-side operated, TL80 two-side operated PNC 913279
  - Stainless steel dividing panel, 900x700mm, (it should only be used between Electrolux Professional thermaline Modular 90 and thermaline C90) PNC 913672
- Stainless steel side panel, 900x700mm, flush-fitting (it should only be used against the wall, against a niche and in between Electrolux Professional thermaline and ProThermetic appliances and external appliances - provided that these have at least the same dimensions) PNC 913688